



Photo by Avery Skees

The Monthly Newsletter of ASPE HAMPTON ROADS



The Latest from
Hampton Roads

HAMPTON ROADS CHAPTER:

MEETING TOPIC: Soft Skills Essential for Engineers

PRESENTED BY: Karine Leblanc

WHEN: Tuesday March 11th - 11:30 -1:00

WHERE: Clark Nexsen: 4525 Main St, Suite 1400
Virginia Beach, VA 23462

COST: \$25.00



ASHRAE Distinguished Lecturer Karine Leblanc wears many hats—engineer, bestselling author, and international professional speaker.

As the Western Sales Manager for Modular Solutions at Daikin Applied, Karine blends engineering expertise with a talent for coaching and relationship-building to deliver cutting-edge solutions. She's all about speeding up projects, saving clients' money, and making their HVAC experience seamless from start to finish.

Karine Leblanc has a mechanical engineering degree from L' École de Technologie Supérieure in Montreal. Not your typical engineer™, she is passionate about working with technical professionals to improve their human skills so they can become more productive, feel happier, and live the life they deserve. She is also a certified behavioral analysis consultant, an eSpeakers Certified Virtual Presenter, and a certified John Maxwell coach, trainer, and speaker. Sharing her knowledge and her own experience of personal transformation, she is a distinguished lecturer for ASHRAE and has spoken all over the world.

Karine has served on ASHRAE's board of directors, and her accolades include the ASHRAE Distinguished Service Award and John F James International Award. Plus, she's the Past-President of the National Speaker Association Los Angeles Chapter, and her contributions to her alumni earned her the title of Leadership Ambassador. Karine is also the author of a bestseller "How to Be Human in a Technical World: Discover the Six Magic Skills that Will Change Your Behavior and Your Life"

INSIDE THIS ISSUE:

Message from the President	PG 2
Vice President Technical	PG 2
Vice President Membership	PG 4
AYP Liaison	PG 6
WOA	PG 8
Advertise with ASPE Hampton Roads	PG 10
Talk Around the Water Cooler	PG 12
Education Station	PG 14

BOARD OF DIRECTORS:

President:
Shane Miller - Mason and Hanger
Shane.Miller@masonandhanger.com

Vice President Technical:

Vice President Membership &
Fund Raising:
Marc Bedois - Mason and Hanger
marc.bedois@masonandhanger.com

Vice President Legislative:
JC Underwood - Nhyates
jcunderwood@nhyates.com

Treasurer:
Administrative Secretary:
Newsletter Editor:
WOA
Web Administrator:
Lisa Sprague - Clark Nexsen
Lsprague@clarknexsen.com

Chapter Affiliate Liaison / Resource
Enhancement Chairperson:
Troy Monteith - The Joyce Agency
tmonteith@thejoyceagency.com

AYP Liaison
Jacob Otto - Otto Sales
jacobotto@ottosales.com

Education Chair
Ryan Schalk - Hickman Ambrose
rschalk@hickmanambrose.com

Web Administrator
Patrick McNally - Mason and Hanger
pat.mcnally@masonandhanger.com

Ambassador Program
Rick O'Berry - Bowman Foster
roberry@bfa-eng.com

MESSAGE FROM THE PRESIDENT

Shane Miller

I would like to extend my gratitude to Katrina for delivering an exceptional presentation this past Tuesday. If you were unable to attend, you truly missed an outstanding session.

Moving on to chapter updates, we are currently seeking to fill several board positions to assist with key initiatives such as our, VP Technical, newsletter, website updates, and the upcoming golf outing. It's crucial to acknowledge that these responsibilities cannot be managed by a single individual, nor should the chapter's activities be driven by one person alone.

Attached to this email, you will find a PDF document listing the available board positions. If you are interested in contributing your skills and time in one of these roles, please reach out to Lisa Sprague at Lsprague@clarknexsen.com or call (757) 961-7862.

Additionally, we are in search of a speaker for our May gathering. If you would like to present, please contact Lisa Sprague.

We also welcome your suggestions for future events and activities. Ideas such as a cornhole tournament or a night at the ballpark have been proposed, but we are eager to hear your thoughts or any other suggestions you may have. Our aim is to diversify our chapter's activities beyond the annual golf outing.

Thank you for your continued support and engagement.

VICE PRESIDENT TECHNICAL

xxxxxxx

NEXT MONTHS TOPIC: New Innovations in Medical Gas Piping

PRESENTED BY: Mathias Carlson

WHEN: Tuesday April 10th, 2025

WHERE: Clark Nexsen: 4525 Main St, Suite 1400
Virginia Beach, VA 23462

Contact me or any of the board members if you have a topic you would like to learn about or if you have a topic of interest to present.

I am currently looking for a speaker for May 8th. If you are interested in doing a presentation on this date, please reach out to me at Lsprague@clarknexsen.com (757) 961-7862. If you have a presentation you would like to do.

ASPE **24** Chapter
Award of Merit
2023 - 2024 Recipient



Richmond VA
2533 Mechanicsville Tpke

Phone
804-643-7355



Alexandria VA
4750 Eisenhower Ave

Email
rmisales@rmisales.com

rmisales.com

ZURN ELKAY

WATER SOLUTIONS



900XL3 Backflow

- Shortest lay length in its class
- Top test ports
- EZSwap check valves



QUICK FILTER CHANGE WRAPPER



Z100F Floforce

- Parabolic Body Design
- Updated Dome Design
- Redesigned Gravel Guard

CHARLOTTE PIPE AND FOUNDRY COMPANY

Charlotte Pipe® Edge HP Iron™ for Aggressive DWV Applications



NIAGARA



- Industry Leading 15-Year Warranty
- Designed with Quality Parts: Fluidmaster® 400A Fill Valve
- Powerful, Vacuum-Assist Stealth Technology®
- Exceptional Performance
 - Line Carry
 - MaP Score
 - WaterSense® Certified
- Factory Assembled, Designed to Install with Speed in 10 Minutes or Under
- Extra-Large Footprint, Great for Renovations



BALL VALVES



BALANCING VALVES



GATES, CHECKS, STRAINERS

VICE PRESIDENT MEMBERSHIP

Marc Bedois

JAN NEW MEMBERS

There are currently no new members for these months

JAN MEMBERS

Ben Doyle
Brandol Bradshaw
Erin Cox
Howard Flora
Hunter Ellmaker
Mike Karcher
Mike Stover



Making the Most of Your Membership:

Member Benefit Tip #1 – Build a Killer Network

One of ASPE's greatest benefits is its members. Everyone is busy at home and at work, but members who attend chapter meetings, Conventions & Expositions, and Symposiums are more likely to build a killer contact list. Our members are eager to help you in your next plumbing engineering problem, which undoubtedly will make you more competitive in the workforce.

Member Benefit Tip #2 – Ask a Member for Help

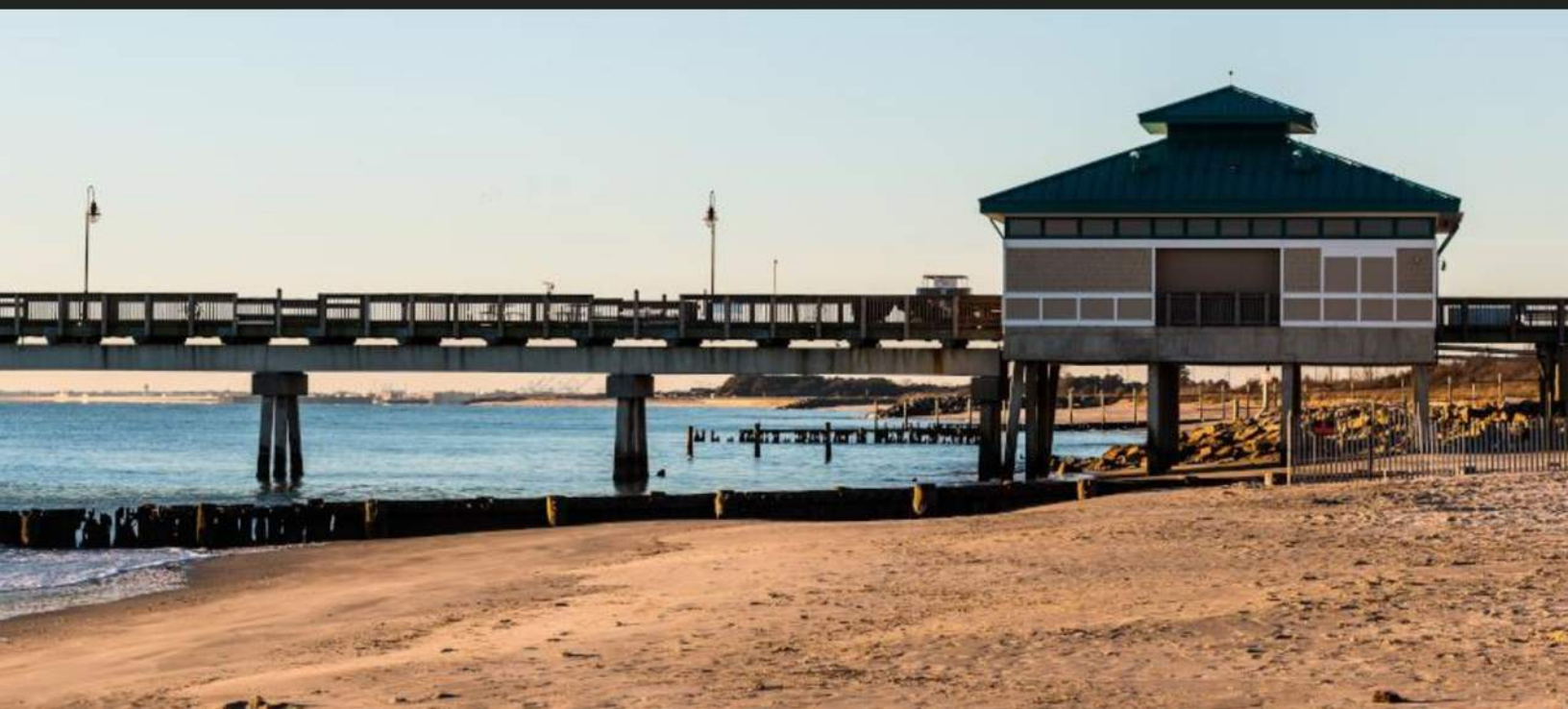
Being a member in ASPE enable you to call upon a friend for help. Your Chapter Officers know who does what. Call your chapter leaders or your fellow members when you're stumped on the job and ask for help. More times than not, you will find a fellow member who is more than willing and able to assist you with your problem. If they can't help, we can kick your problem up to our regional director and they will find you the help you need.

Member Benefit Tip #3 – Boost Your Industry Visibility

Demonstrate your abilities to lead and boost your industry visibility by volunteering to join your Chapter Board of Directors or apply to join the Society Board of Directors. Employers, clients, and co-workers respect and look up to ASPE Chapter and Society Officers.

Member Benefit Tip #4 – Expand Your Knowledge and Earn CEUs

ASPE produces webinars for members to expand their knowledge of plumbing systems and design. Members pay about half the price as nonmembers and if the webinar is sponsored members can participate for free, so this is a great member benefit. Hover over Education & Credentialing in the aspe.org main menu, and then click on webinars and workshops. You can access current webinars as well as every webinar ASPE has ever held. Don't forget to recommend these to your colleagues and clients.



Viega, LLC - Mike McCarthy:
Technical Manager (571) 328-1143
mike.mccarthy@viega.us



Viega Questions? Lunch & Learn sessions, project support & specification review.

viega



TO LEARN MORE CONTACT
Eric Geisendaffer: Bay Associates
ERIC@BAYASSOCIATES.COM

OMNI
PBX

A fully integrated, energy efficient heat pump water heater. Available in 50, 65, 80 & 119 gallon capacities.



Air or water source heat pump

Fully configurable heat pump system with 120-5000 gallon storage capacity and fully programmable controller



PLC Controller



Recirc/backup heater



Cement lined storage tank

OMNI
HHP

AYP LIAISON

Jacob Otto

**ASPE
YOUNG
PROFESSIONALS®**

Hey Young Professionals!

REGION 1 AYP PRESENTS:

NATURAL GAS DESIGN BASICS

presented by

**CHARLES SWOPE, PE,
CPD, LEED BD+C**



WHO

THIS WEBINAR IS
OPEN TO ALL REGION 1
ASPE YOUNG PROFESSIONALS

WHAT

- DIFFERENCES BETWEEN NATURAL GAS AND PROPANE
- PIPE APPLICATIONS AND WHEN YOU WOULD CHOOSE THEM
- REGULATOR BASICS
- SIZING METHODOLOGIES

WHEN

WEDNESDAY
MARCH 19, 2025
12-1PM EST

REGISTER

THIS WEBINAR IS FREE TO ASPE MEMBERS.

CHUCK STARTED HIS CAREER IN 2003 AFTER GRADUATING FROM PENN STATE WITH A BACHELOR'S DEGREE IN ELECTRO-MECHANICAL ENGINEERING TECHNOLOGY AND ENTERED THE MEP CONSULTANT INDUSTRY THROUGH HAPPENSTANCE. THIS TURNED INTO A 20 YEAR CAREER WHERE HE HAS ENJOYED THE LAST 15 YEARS AT MUELLER ASSOCIATES, INC. HE BEGAN AS A MECHANICAL ENGINEER, AND PROGRESSED HIS WAY THROUGH THE COMPANY TO BECOME A CHIEF MECHANICAL ENGINEER, WHERE HIS PRIMARY FOCUS IS PLUMBING AND FIRE PROTECTION. DURING THAT TIME, HE ALSO JOINED THE BALTIMORE ASPE CHAPTER IN 2012 AND SERVED AS VICE PRESIDENT TECHNICAL FROM 2017 - 2022. CHUCK WAS ELECTED CHAPTER PRESIDENT IN 2022 AND STILL HOLDS THE POSITION.

Ultra-reliable Electric and Gas-Fired Water Heaters



Industry's Best Warranties

AquaPLEX®
Engineered Duplex Alloy



800.784.8326 | pvi.com



1432 Front Ave | Lutherville, MD 21093
410-825-6616 | bayassociates.com | Eric@Bayassociates.com

Aegis® Eco-Friendly CO₂ Heat Pump Water Heaters



The Cleaner Way to Heat



817.335.9531 | lyncbywatts.com/aegis



1432 Front Ave | Lutherville, MD 21093
410-825-6616 | bayassociates.com | Eric@Bayassociates.com

Women of ASPE®



Sponsored by



Women of ASPE®

Dedicated to **engaging**, **retaining**,
and **advancing** women in the plumbing
design industry through:

- Mentoring programs
- Membership outreach
- Partnerships with industry-related associations
- Educational and leadership offerings

To join WOA, email rrodriguez@aspe.org
For more information, visit aspe.org





Experience Ease of Installation, Integration, and Control with Lawler's Fully Electronic Mixing Valve, Neptune!



Neptune EMX Electronic Mixing Valve

- Accurate control of domestic hot water in all flow conditions
- Simple 3 button interface
- High temperature alarm
- Two valve installation in parallel with one controller
- ModBus and BACnet™ communication standard
- Rugged lead-free stainless-steel valves
- ASSE 1017 and NSF 372 listed

Neptune EMX Electronic Mixing Valve Manifold Systems for Recirculation

- Plug-and-play
- Pre-assembled / tested
- Standard and custom designs

Contact your local rep, **Eric Geisendaffer** at **Bay Associates** (Eric@Bayassociates.com), or visit www.temperedwater.com to learn more.

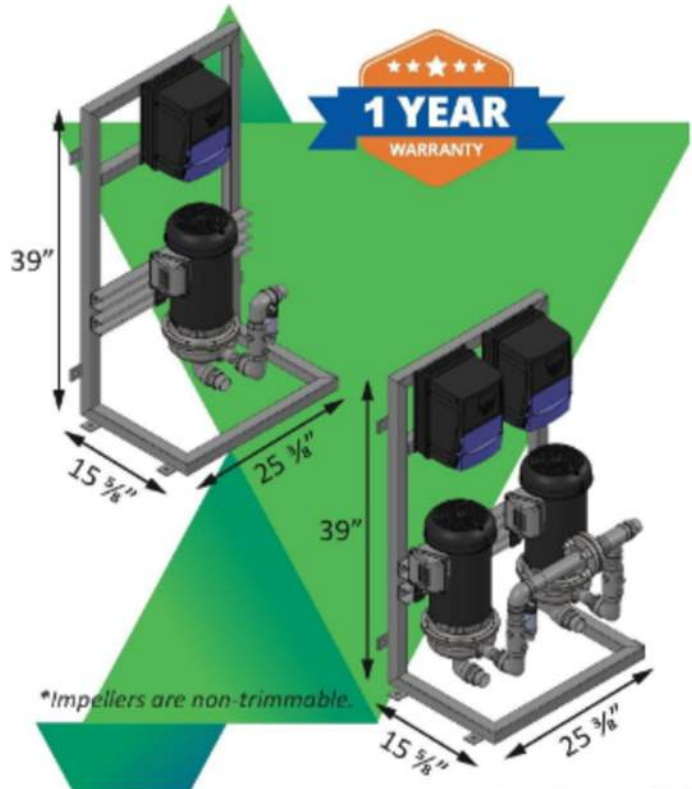


When You Need a Micro Boost, Insist on a MicroFlo



MicroFlo Series Out of the Box High Efficiency Compact Booster.

The MicroFlo Series is a highly compact, 1 or 2 pump booster for LOW FLOW -- LOW BOOST applications. Buildings that are only a couple stories, have lower water movement needs, or small footprints. **The MicroFlo is designed specifically for these smaller appli-**



www.ottosales.com

P.O. Box 6005
Ashland, VA 23005
804.798.2600

ADVERTISE WITH YOUR LOCAL CHAPTER

A SPECIAL THANK YOU TO EVERYONE WHO HAS PLACED ADS THIS SEASON.

NEWSLETTER AND WEBPAGE ADVERTISEMENT COSTS

FULL PAGE NEWSLETTER (PER SEASON)

ASPE MEMBER \$395.00

NON-ASPE MEMBER \$475.00

HALF PAGE NEWSLETTER (PER SEASON)

ASPE MEMBER \$295.00

NON-ASPE MEMBER \$375.00

TABLETOP COSTS

TABLETOPS - PER MEETING

ASPE MEMBER \$100.00

NON-ASPE MEMBER \$150.00

TABLETOPS - YEARLY (APPROX. 9 MEETINGS)

ASPE MEMBER \$500.00

NON-ASPE MEMBER \$600.00

Advertising



ADVERTISING





**Celebrating 75 years of Excellence in Sales
& Training, Technical Expertise, and
Customer Service.**

COLMAC

WATERHEAT

Heat Pump Water Heaters

Colmac pioneered water heating heat pumps in the 1980's and they are continuously improving and innovating in the markets they serve.



Packaged Heat Pump Tank System



RIVIVE™ Hydration Station™ Recessed Bottle Filler with HI-LO Fountains

Haws® Since 1906

AMERICA'S PREMIER DRINKING FOUNTAIN BOTTLE FILLER & SAFETY EQUIPMENT MANUFACTURER

WCC

Where NATURE & SCIENCE meet™ 

Water treatment solutions for commercial, institutional, & industrial applications

Water Control Corporation

Systems & Controls, Inc. Domestic Water Booster Controls



Pacemaker Series



Phoenix GT

High-Capacity Ultrafiltration Point-of-Entry (Whole Building)

**Manufacturer's Representative and Distributor of Premier
HVAC, Plumbing & Hydronic-related Products**

www.nhyates.com/800-878-8181

YATES

SINCE 1949

TALK AROUND THE WATER COOLER

Check-out these sites for interesting and educational topics & tools so you can stay in 'the know'!



ASPE PIPELINE

SOME RECENT EXCEPRTS:

[February 2025 Lessons in Firestop: Let's Talk About Sealants](#)

Welcome back to our [Lessons in Firestop](#). We have missed talking firestop with you, so let's jump back into it. I want to ask you a simple question: When you hear "firestop," what is the product you think of?

Any chance it's sealant?

Any chance it's red? [More](#)

[February 2025 Professional Engineer's Perspective: The Importance of PE Registration](#)

ASPE has been pursuing registration for engineers who specialize in plumbing engineering for a considerable amount of time. Through the efforts of the PEWG (Professional Engineer Working Group) and many volunteer members, this goal should be achieved soon. NCEES (National Council of Examiners for Engineering and Surveying) is in the process, through its PAKS (Professional Activities and Knowledge Study) Committee, of developing an exam in plumbing/piping. This exam will be a module under the Mechanical Engineering suite of exams. I am happy to report that while this effort has been long, it is in the last stages of becoming reality.....[More](#)

[2Avoiding the Pitfalls of Breaking Concrete with Above-Floor Grinder Pumps](#)

Learn how above-floor grinder pumps offer a viable, cost-effective solution to the laborious trenching process.

You've likely encountered this scenario countless times:

A property owner requests restroom facilities or a commercial kitchen in a space where conventional plumbing connections are either nonexistent or located several feet away. They rely on you for a thorough inspection, detailed evaluation, and realistic cost estimate. The challenge? Creating below-floor drainage in these circumstances often means cutting through concrete, a process known to be disruptive, expensive, and sometimes downright impractical....[More](#)





DURAGUARD® PRODUCT LINE



Public health and safety are a common concern. Targeted for commercial applications, Bemis has a comprehensive offering of seats with DuraGuard® Antimicrobial Built-In Seat Protection™ and STAY·TITE™.

WHAT IS DURAGUARD?

DuraGuard is an antimicrobial property built into the toilet seat to inhibit the growth of bacteria. The active ingredient in DuraGuard is zinc pyrithione, a non-VOC (volatile organic compound), broad-spectrum, highly effective antimicrobial agent used to control mold, mildew, yeasts, fungi, algae, gram positive and negative bacteria. DuraGuard does not protect users or others against bacteria, viruses, germs, or other disease-causing organisms.

WHAT IS STAY·TITE?

STAY·TITE Seat Fastening System™ anchors the toilet seat to the bowl by using a patented bolt design with a inned bushing and glass-illed nylon nut, eliminating the need to retighten the seat to the bowl after installation.

CYDNEY JOHNSTONE

The Joyce Agency

Cell: 804-240-8014

Email: cydney@thejoyceagency.com

OFFICE



HOSPITALITY



SCHOOLS



HEALTHCARE



Manufacturers Representative Since 1968

Harry Eklof

& Associates, Inc.

Representing:

CALEFFI
Hydronic Solutions



FIELD CONTROLS



FUJITSU **AIRSTAGE**



Navien



FLORESTONE
A spec above.



SCAN THE QR-CODE



to get more information
on product and training!

EDUCATION STATION

Ryan Schalk

*If you are looking to earn the required CEU's and/or enhance your skills and knowledge then this is the site for you! Once you've landed on Educational Program & Tools page, simply point & click to gain access to a variety of ways to accomplish your goals.
<https://www.aspe.org/pipeline/category/education-opportunities/>*

[Chicago Faucets Presents a Webinar on Plumbing Design and Waterborne Infection Risks](#)

Chicago Faucets invites industry professionals to the webinar “[Plumbing Design: Strategies to Minimize Waterborne Infections in the New Age of Water Management](#)” on March 12, 2025 at 11 a.m. CDT. This timely session will help plumbing engineers, facility managers, and contractors understand how to mitigate the risks of waterborne pathogens through smarter plumbing design and water management strategies...[More](#)

[Watts Leak Detection Solutions Webinar Is Now Available on Demand](#)

“Innovative Solutions for Leak Detection in Commercial Spaces,” an ASPE-accredited webinar worth 0.1 CEUs from Watts, is now available at training.watts.com/course/view.php?id=2361. During this webinar you will discover how advanced leak detection solutions can protect commercial and multifamily properties from costly water damage and minimize financial risk through seamless system integration. [More](#)

[ANAB and The Water Council Partner to Offer Water Stewardship Training](#)

The [ANSI National Accreditation Board \(ANAB\)](#) and [The Water Council](#) are pleased to announce a collaboration to offer a new, self-paced training course on water stewardship: the [Comprehensive Water Stewardship Overview](#). This partnership leverages the expertise of both organizations to provide accessible and impactful training on responsible water management practices. [More](#)



Increase your productivity

*design your next project
with the KITZ extensive
BIM e-catalog*

BRADLEY  HUGHES

Manufacturer's Representatives
www.bradley-hughes.net

bim.kitzus-kca.com
800-772-0073



KITZ

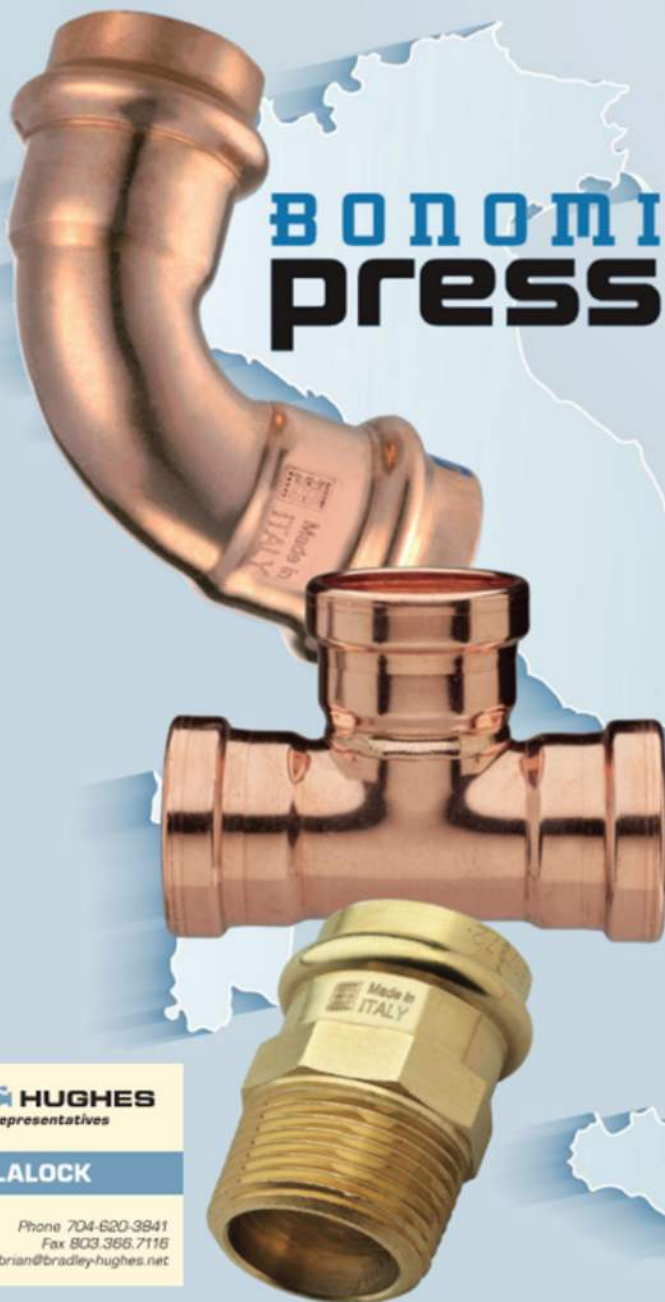
Introducing Bonomi Press™:
high-quality European-made
copper and lead-free brass
press fittings for commercial
plumbing

Don't settle for inferior Far East imports. Choose BONOMI PRESS™ fittings, 100% manufactured by the Bonomi Group in Italy from high-purity copper and lead-free brass for joining copper pipe.

Ideal for drinking water applications, they meet NSF/ANSI/CAN 61 requirements and are certified lead-free under NSF/ANSI/CAN 372. They are also used in heating and cooling, low pressure steam, non-potable water, ethanol, compressed air, vacuum and more.

All BONOMI PRESS fittings feature a unique leak prevention system which allows any unpressed fitting to be detected during installation, avoiding time-consuming repairs.

Get the highest quality and the strongest liability protection available with BONOMI PRESS. Contact Bonomi North America today for more information.



**BONOMI
press**



BRADLEY  HUGHES
Manufacturer's Representatives

BRIAN BLALOCK

741 East Willet Ct
Corolla, NC 27927
www.bradley-hughes.net

Phone 704-620-3841
Fax 803-366-7116
brian@bradley-hughes.net

BONOMI
NORTH AMERICA

704-412-9031 • www.bonominorthamerica.com



Complete Mixing Valve Solutions



www.ottosales.com

P.O. Box 6005
Ashland, VA 23005
804.798.2600



WILLOUGHBY

COUNT ON US.



Family-owned and -operated since opening in 1947, Our fixtures and water management systems are Willoughby-tough and purpose-built for their environment! From sinks and lavatories to ligature-resistant plumbing fixtures for behavioral health facilities, we can help with fixtures for the most extreme environments.



www.ottosales.com

P.O. Box 6005
Ashland, VA 23005
804.798.2600



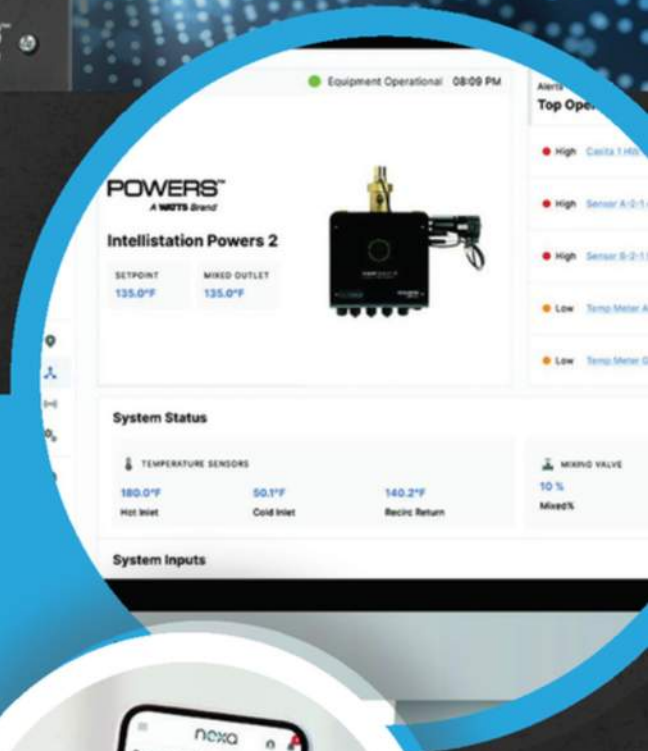
THE NEXT GENERATION OF DIGITAL MIXING

Temper Water. Not Expectations.

Key Features:

- Improved temperature control with Globe Valve Design
- Sensor package options to fit any application
- Improved touchscreen with screen swipes
- Full temperature monitoring and pressure/flow rate monitoring options

IntelliStation 2 performance data can be viewed from anywhere and tracked over time for trends that can help optimize your system and anticipate issues. This next generation mixing valve can be monitored and controlled remotely via Nexa or your BMS, and doesn't require factory preprogramming, a laptop, or special software when commissioning or making or adjustments.



nexaplatform.com

POWERS™
A WATTS Brand



powerscontrols.com



Interested in learning more?

Contact Cydney Johnstone of The Joyce Agency
804-240-8014 | cydney@thejoyceagency.com



WOODFORD



COMMERCIAL & INDUSTRIAL
PLUMBING SPECIFICATIONS
8505 Bell Creek Road East
Mechanicsville, VA 23116

NO. Features



PLUMBING
SOLUTIONS &
SPECIFICATIONS

PL-101





NIBCO
presssystem

THE DREAM TEAM

FIVE PRESS LINES.
ONE SOURCE.

NIBCO® is the trusted brand pros turn to for flow-control expertise. That includes our dream team of press products — carbon steel and copper fittings as well as lead-free cast bronze fittings and valves in the styles and sizes you need.

