



Photo by Avery Skees

The Monthly Newsletter of ASPE HAMPTON ROADS



The Latest from
Hampton Roads

HAMPTON ROADS CHAPTER:

MEETING TOPIC: Heat Pump Water Heater

PRESENTED BY: Tyler Berry, TLA

WHEN: Thursday Jan. 9, 11:30 -1:00

WHERE: Clark Nexsen: 4525 Main St, Suite 1400
Virginia Beach, VA 23462

COST: \$25.00

INSIDE THIS ISSUE:

Message from the President	PG 2
Vice President Technical	PG 2
Vice President Membership	PG 4
AYP Liaison	PG 6
WOA	PG 8
Advertise with ASPE Hampton Roads	PG 10
Talk Around the Water Cooler	PG 12
Education Station	PG 14

BOARD OF DIRECTORS:

President:
Shane Miller - Mason and Hanger
Shane.Miller@masonandhanger.com

Vice President Technical:

Vice President Membership &
Fund Raising:
Marc Bedois - Mason and Hanger
marc.bedois@masonandhanger.com

Vice President Legislative:
JC Underwood - Nhyates
jcunderwood@nhyates.com

Treasurer:
Administrative Secretary:
Newsletter Editor:
WOA
Web Administrator:
Lisa Sprague - Clark Nexsen
Lsprague@clarknexsen.com

Chapter Affiliate Liaison / Resource
Enhancement Chairperson:
Troy Monteith - The Joyce Agency
tmonteith@thejoyceagency.com

AYP Liaison
Jacob Otto - Otto Sales
jacobotto@ottosales.com

Education Chair
Ryan Schalk - Hickman Ambrose
rschalk@hickmanambrose.com

Web Administrator
Patrick McNally - Mason and Hanger
pat.mcnally@masonandhanger.com

Ambassador Program
Rick O'Berry - Bowman Foster
roberry@bfa-eng.com

MESSAGE FROM THE PRESIDENT

Shane Miller

We had our Jan meeting, and it went very well Tyler put on a fantastic presentation. If anyone would like a copy of the presentation, please let me know I have it on a USB drive. I would like to take this time to thank Ghassan Abu Sultanah for all his hard work and dedication to the chapter and wish him well on his next chapter and endeavors. He is moving on for bigger and better things. With that said we are now looking for a new VP Technical. So, if you or know of somebody is interested in the position, please reach out to one of the board members.

A BIG THANK YOU to ALL of our members for continuing to support our local Chapter.

VICE PRESIDENT TECHNICAL

xxxxxxx

NEXT MONTHS TOPIC: Backflow Preventer

PRESENTED BY: Jay Otto / Ray Moore

WHEN: Thursday - Feb 13, 2025

WHERE: Clark Nexsen: 4525 Main St, Suite 1400
Virginia Beach, VA 23462

Contact me or any of the board members if you have a topic you would like to learn about or if you have a topic of interest to present.

We are looking for speakers for this years meetings. All months are currently open except for Sept, Oct & Nov. The Nov meeting is an ASPE, ASHRAE & VSHE meeting that will be held in the evening. So please contact me at ghassan.abusultanah@clarknexsen.com or call me at (757) 961-7752 or reach out to Lsprague@clarknexsen.com (757) 961-7862. if you have a presentation you would like to do.

ASPE **24** Chapter
Award of Merit
2023 - 2024 Recipient



Richmond VA
2533 Mechanicsville Tpke

Phone
804-643-7355



Alexandria VA
4750 Eisenhower Ave

Email
rmisales@rmisales.com

rmisales.com

ZURN ELKAY

WATER SOLUTIONS



900XL3 Backflow

- Shortest lay length in its class
- Top test ports
- EZSwap check valves



**QUICK
FILTER CHANGE
WRAPPER**



Z100F Floforce

- Parabolic Body Design
- Updated Dome Design
- Redesigned Gravel Guard

**CHARLOTTE
PIPE AND FOUNDRY COMPANY**

**Charlotte Pipe® Edge HP Iron™ for
Aggressive DWV Applications**



NIAGARA



Industry Leading
15-Year Warranty



Designed with Quality Parts:
Fluidmaster® 400A Fill Valve



Powerful, Vacuum-Assist
Stealth Technology®



Exceptional Performance

- Line Carry
- MaP Score
- WaterSense® Certified



Factory Assembled,
Designed to Install with
Speed in 10 Minutes or Under



Extra-Large Footprint,
Great for Renovations



BALL VALVES



BALANCING VALVES



GATES, CHECKS, STRAINERS

VICE PRESIDENT MEMBERSHIP

Marc Bedois

JAN NEW MEMBERS

There are currently no new members for these months

JAN MEMBERS

Shane Miller



Making the Most of Your Membership:

Member Benefit Tip #1 – Build a Killer Network

One of ASPE's greatest benefits is its members. Everyone is busy at home and at work, but members who attend chapter meetings, Conventions & Expositions, and Symposiums are more likely to build a killer contact list. Our members are eager to help you in your next plumbing engineering problem, which undoubtedly will make you more competitive in the workforce.

Member Benefit Tip #2 – Ask a Member for Help

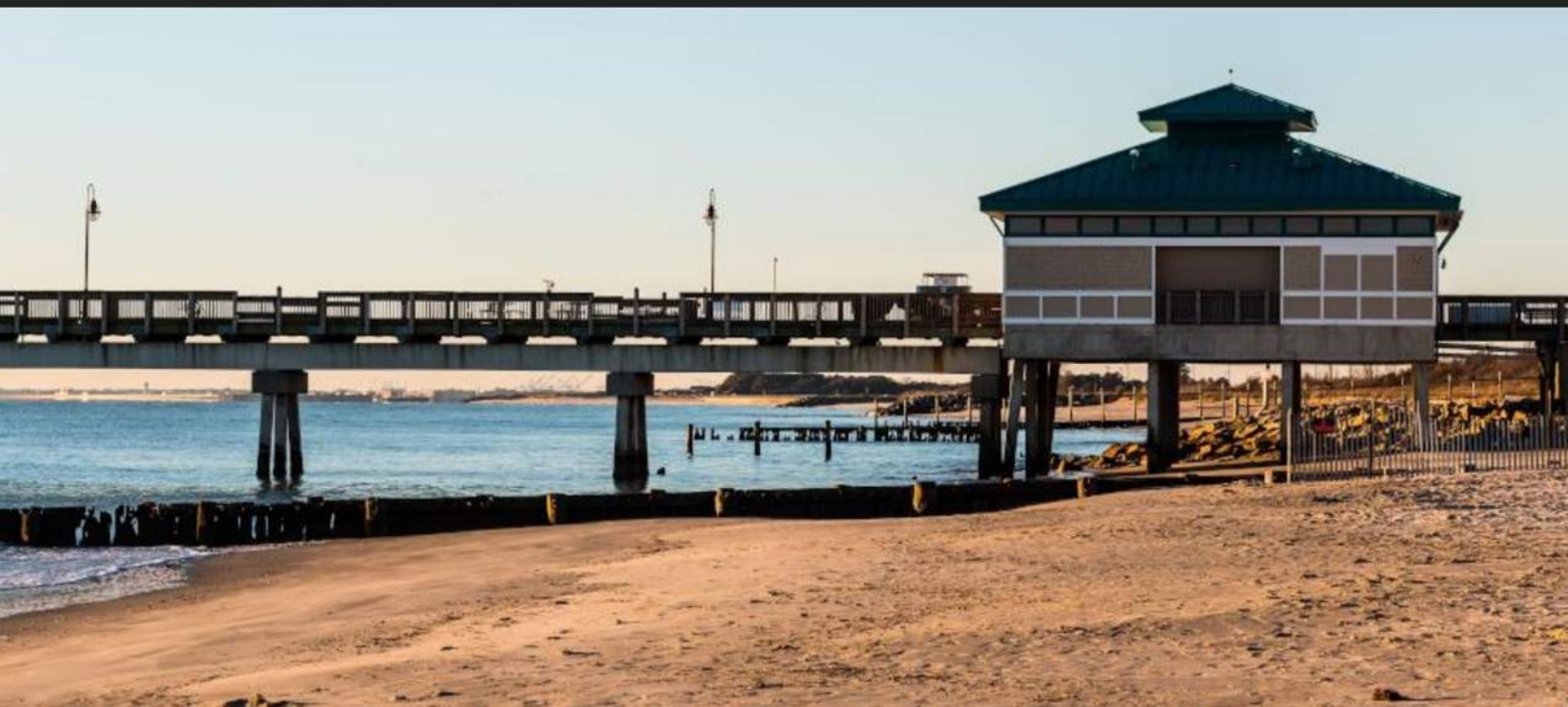
Being a member in ASPE enable you to call upon a friend for help. Your Chapter Officers know who does what. Call your chapter leaders or your fellow members when you're stumped on the job and ask for help. More times than not, you will find a fellow member who is more than willing and able to assist you with your problem. If they can't help, we can kick your problem up to our regional director and they will find you the help you need.

Member Benefit Tip #3 – Boost Your Industry Visibility

Demonstrate your abilities to lead and boost your industry visibility by volunteering to join your Chapter Board of Directors or apply to join the Society Board of Directors. Employers, clients, and co-workers respect and look up to ASPE Chapter and Society Officers.

Member Benefit Tip #4 – Expand Your Knowledge and Earn CEUs

ASPE produces webinars for members to expand their knowledge of plumbing systems and design. Members pay about half the price as nonmembers and if the webinar is sponsored members can participate for free, so this is a great member benefit. Hover over Education & Credentialing in the aspe.org main menu, and then click on webinars and workshops. You can access current webinars as well as every webinar ASPE has ever held. Don't forget to recommend these to your colleagues and clients.



Viega, LLC - Mike McCarthy:
Technical Manager (571) 328-1143
mike.mccarthy@viega.us



Viega Questions? Lunch & Learn sessions, project support & specification review.

viega



TO LEARN MORE CONTACT
Eric Geisendaffer: Bay Associates
ERIC@BAYASSOCIATES.COM

OMNI
PBX

A fully integrated, energy efficient heat pump water heater. Available in 50, 65, 80 & 119 gallon capacities.



Air or water source heat pump

Fully configurable heat pump system with 120-5000 gallon storage capacity and fully programmable controller



PLC Controller



Recirc/backup heater



Cement lined storage tank

OMNI
HHP

AYP LIAISON

Jacob Otto

**ASPE
YOUNG
PROFESSIONALS®**

ASPE AYP is always looking to grow our 35 and younger engineer network!

Please join us this season in support of your local ASPE Chapter as well as AYP for exciting and educational topics

**ASPE
YOUNG
PROFESSIONALS®**

**We would love to hear what sort of topics would interest you?
What meeting format is most beneficial to get the most out of
it? We want to hear from you!**

Jacob Otto

(804)822-0435

jacobotto@ottosales.com

Ultra-reliable Electric and Gas-Fired Water Heaters



Industry's Best
Warranties

AquaPLEX®
Engineered Duplex Alloy



800.784.8326 | pvi.com



1432 Front Ave | Lutherville, MD 21093
410-825-6616 | bayassociates.com | Eric@Bayassociates.com

Aegis® Eco-Friendly CO₂ Heat Pump Water Heaters



The Cleaner
Way to Heat



817.335.9531 | lyncbywatts.com/aegis



1432 Front Ave | Lutherville, MD 21093
410-825-6616 | bayassociates.com | Eric@Bayassociates.com

Women of ASPE®



Sponsored by



Women of ASPE®

Dedicated to **engaging**, **retaining**,
and **advancing** women in the plumbing
design industry through:

- Mentoring programs
- Membership outreach
- Partnerships with industry-related associations
- Educational and leadership offerings

To join WOA, email rrodriguez@aspe.org
For more information, visit aspe.org





Experience Ease of Installation, Integration, and Control with Lawler's Fully Electronic Mixing Valve, Neptune!



Neptune EMX Electronic Mixing Valve

- Accurate control of domestic hot water in all flow conditions
- Simple 3 button interface
- High temperature alarm
- Two valve installation in parallel with one controller
- ModBus and BACnet™ communication standard
- Rugged lead-free stainless-steel valves
- ASSE 1017 and NSF 372 listed

Neptune EMX Electronic Mixing Valve Manifold Systems for Recirculation

- Plug-and-play
- Pre-assembled / tested
- Standard and custom designs

Contact your local rep, **Eric Geisendaffer** at **Bay Associates** (Eric@Bayassociates.com), or visit www.temperedwater.com to learn more.

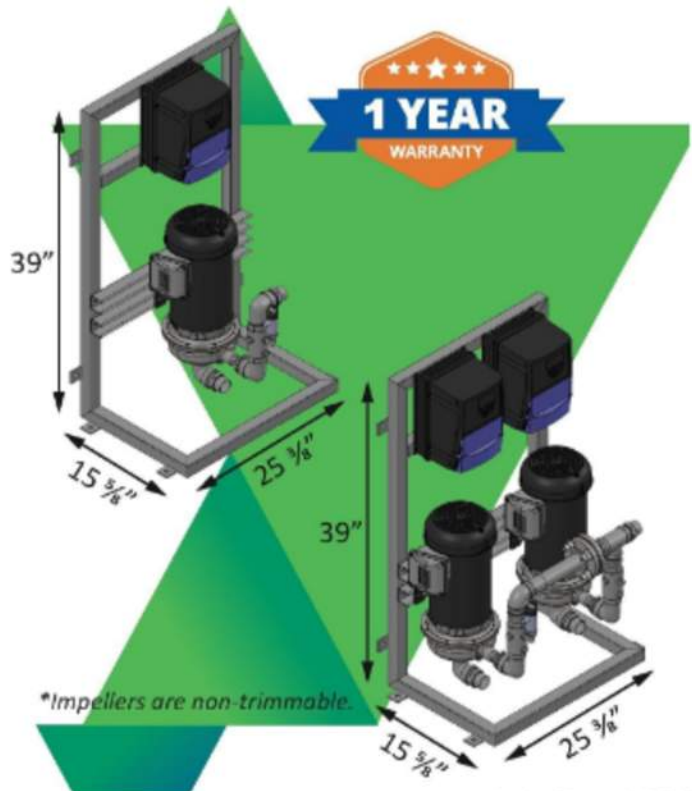


When You Need a Micro Boost, Insist on a MicroFlo



MicroFlo Series Out of the Box High Efficiency Compact Booster.

The MicroFlo Series is a highly compact, 1 or 2 pump booster for LOW FLOW -- LOW BOOST applications. Buildings that are only a couple stories, have lower water movement needs, or small footprints. **The MicroFlo is designed specifically for these smaller appli-**



www.ottosales.com

P.O. Box 6005
Ashland, VA 23005
804.798.2600

ADVERTISE WITH YOUR LOCAL CHAPTER

A SPECIAL THANK YOU TO EVERYONE WHO HAS PLACED ADS THIS SEASON.

NEWSLETTER AND WEBPAGE ADVERTISEMENT COSTS

FULL PAGE NEWSLETTER (PER SEASON)

ASPE MEMBER \$395.00

NON-ASPE MEMBER \$475.00

HALF PAGE NEWSLETTER (PER SEASON)

ASPE MEMBER \$295.00

NON-ASPE MEMBER \$375.00

TABLETOP COSTS

TABLETOPS - PER MEETING

ASPE MEMBER \$100.00

NON-ASPE MEMBER \$150.00

TABLETOPS - YEARLY (APPROX. 9 MEETINGS)

ASPE MEMBER \$500.00

NON-ASPE MEMBER \$600.00

Advertising



ADVERTISING





**Celebrating 75 years of Excellence in Sales
& Training, Technical Expertise, and
Customer Service.**

COLMAC

WATERHEAT

Heat Pump Water Heaters

Colmac pioneered water heating heat pumps in the 1980's and they are continuously improving and innovating in the markets they serve.



Packaged Heat Pump Tank System



RIVIVE™ Hydration Station™ Recessed Bottle Filler with HI-LO Fountains

Haws® Since 1906

AMERICA'S PREMIER DRINKING FOUNTAIN BOTTLE FILLER & SAFETY EQUIPMENT MANUFACTURER

WCC

Where NATURE & SCIENCE meet™ 

Water treatment solutions for commercial, institutional, & industrial applications

Water Control Corporation

Systems & Controls, Inc. Domestic Water Booster Controls



Pacemaker Series



Phoenix GT

High-Capacity Ultrafiltration Point-of-Entry (Whole Building)

**Manufacturer's Representative and Distributor of Premier
HVAC, Plumbing & Hydronic-related Products**

www.nhyates.com/800-878-8181

YATES

SINCE 1949

TALK AROUND THE WATER COOLER

Check-out these sites for interesting and educational topics & tools so you can stay in 'the know'!



ASPE PIPELINE

SOME RECENT EXCEPRTS:

[ASHRAE Learning Institute Offers Free Publication with Online Course Registration](#)

ASHRAE is offering a new benefit to enhance the value of its online instructor-led courses through the ASHRAE Learning Institute (ALI).

Starting with its 2025 online course schedule, ALI is offering a free recommended ASHRAE publication with each online course registration. [More](#)

[AWWA Board of Directors Selects Brent Tippet as Next President-Elect](#)

The American Water Works Association's (AWWA) Board of Directors has selected Brent Tippet from Lexington, Kentucky as the Association's next president-elect.

The Board also selected AWWA's four vice presidents and a Young Professional director-at-large during its annual winter meeting in Hilton Head Island, South Carolina. [More](#)

[2025 Building Safety Month Campaign to Kick Off First Week of May](#)

The month-long 2025 Building Safety Month, which raises awareness about the importance of building codes in establishing and ensuring the safety of the built environment, kicks off on May 1, 2025. This year's theme, "Game On!," motivates people to get in the game and take part in learning about and practicing building safety. Each year, the Code Council, its members, and global communities celebrate building safety through proclamations, educational events, and community gatherings.

[More](#)





DURAGUARD® PRODUCT LINE



Public health and safety are a common concern. Targeted for commercial applications, Bemis has a comprehensive offering of seats with DuraGuard® Antimicrobial Built-In Seat Protection™ and STAY·TITE™.

WHAT IS DURAGUARD?

DuraGuard is an antimicrobial property built into the toilet seat to inhibit the growth of bacteria. The active ingredient in DuraGuard is zinc pyrithione, a non-VOC (volatile organic compound), broad-spectrum, highly effective antimicrobial agent used to control mold, mildew, yeasts, fungi, algae, gram positive and negative bacteria. DuraGuard does not protect users or others against bacteria, viruses, germs, or other disease-causing organisms.

WHAT IS STAY·TITE?

STAY·TITE Seat Fastening System™ anchors the toilet seat to the bowl by using a patented bolt design with a inned bushing and glass-illed nylon nut, eliminating the need to retighten the seat to the bowl after installation.

CYDNEY JOHNSTONE

The Joyce Agency

Cell: 804-240-8014

Email: cydney@thejoyceagency.com

OFFICE



HOSPITALITY



SCHOOLS



HEALTHCARE



Manufacturers Representative Since 1968

Harry Eklof

& Associates, Inc.

Representing:

CALEFFI
Hydronic Solutions



FIELD CONTROLS



FUJITSU **AIRSTAGE**



NAVIEN



FLORESTONE
A spec above.



SCAN THE QR-CODE



to get more information
on product and training!

EDUCATION STATION

Ryan Schalk

If you are looking to earn the required CEU's and/or enhance your skills and knowledge then this is the site for you! Once you've landed on Educational Program & Tools page, simply point & click to gain access to a variety of ways to accomplish your goals.

<https://www.aspe.org/pipeline/category/education-opportunities/>

[ASHRAE Learning Institute Offers Free Publication with Online Course Registration](#)

ASHRAE is offering a new benefit to enhance the value of its online instructor-led courses through the ASHRAE Learning Institute (ALI).

Starting with its 2025 online course schedule, ALI is offering a free recommended ASHRAE publication with each online course registration. The goal of the free bonus publication is to reinforce the course material and support deeper understanding of the subject matter. [More](#)

[Watts to Present ASPE CEU Webinar on Leak Detection Solutions](#)

Watts has announced “Innovative Solutions for Leak Detection in Commercial Spaces,” an ASPE-accredited webinar worth 0.1 CEUs. On Tuesday, February 18, 2025, at 12 p.m. ET, participants will discover how advanced leak detection solutions can protect commercial and multifamily properties from costly water damage and minimize financial risk through seamless system integration. [More](#)



Increase your productivity

*design your next project
with the KITZ extensive
BIM e-catalog*

BRADLEY  HUGHES

Manufacturer's Representatives
www.bradley-hughes.net

bim.kitzus-kca.com
800-772-0073



KITZ

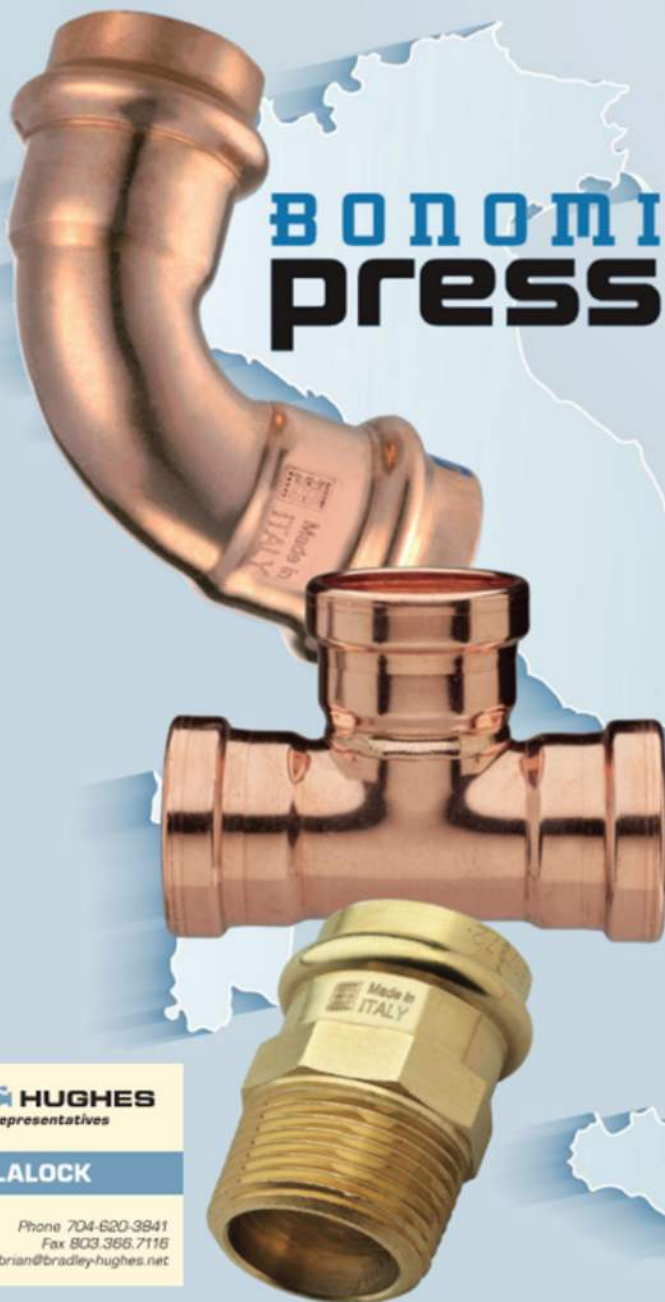
Introducing Bonomi Press™:
high-quality European-made
copper and lead-free brass
press fittings for commercial
plumbing

Don't settle for inferior Far East imports. Choose BONOMI PRESS™ fittings, 100% manufactured by the Bonomi Group in Italy from high-purity copper and lead-free brass for joining copper pipe.

Ideal for drinking water applications, they meet NSF/ANSI/CAN 61 requirements and are certified lead-free under NSF/ANSI/CAN 372. They are also used in heating and cooling, low pressure steam, non-potable water, ethanol, compressed air, vacuum and more.

All BONOMI PRESS fittings feature a unique leak prevention system which allows any unpressed fitting to be detected during installation, avoiding time-consuming repairs.

Get the highest quality and the strongest liability protection available with BONOMI PRESS. Contact Bonomi North America today for more information.



**BONOMI
press**



BRADLEY  HUGHES
Manufacturer's Representatives

BRIAN BLALOCK

741 East Willet Ct
Corolla, NC 27927
www.bradley-hughes.net

Phone 704-620-3841
Fax 803-366-7116
brian@bradley-hughes.net

BONOMI
NORTH AMERICA

704-412-9031 • www.bonominorthamerica.com



Complete Mixing Valve Solutions



www.ottosales.com

P.O. Box 6005
Ashland, VA 23005
804.798.2600



WILLOUGHBY

COUNT ON US.



Family-owned and -operated since opening in 1947, Our fixtures and water management systems are Willoughby-tough and purpose-built for their environment! From sinks and lavatories to ligature-resistant plumbing fixtures for behavioral health facilities, we can help with fixtures for the most extreme environments.



www.ottosales.com

P.O. Box 6005
Ashland, VA 23005
804.798.2600



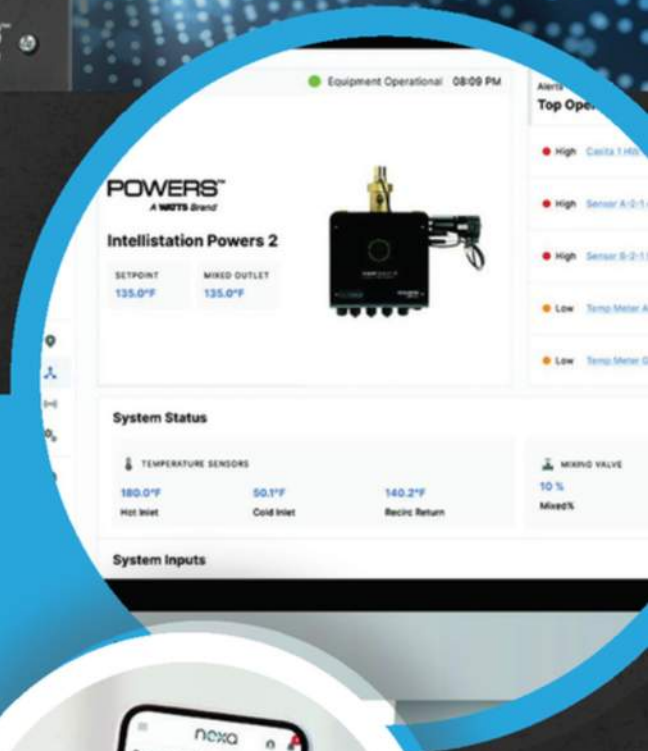
THE NEXT GENERATION OF DIGITAL MIXING

Temper Water. Not Expectations.

Key Features:

- Improved temperature control with Globe Valve Design
- Sensor package options to fit any application
- Improved touchscreen with screen swipes
- Full temperature monitoring and pressure/flow rate monitoring options

IntelliStation 2 performance data can be viewed from anywhere and tracked over time for trends that can help optimize your system and anticipate issues. This next generation mixing valve can be monitored and controlled remotely via Nexa or your BMS, and doesn't require factory preprogramming, a laptop, or special software when commissioning or making or adjustments.



works with nexa



nexaplatform.com

POWERS™
A WATTS Brand



powercontrols.com

The
JOYCE
AGENCY

Interested in learning more?
Contact Cydney Johnstone of The Joyce Agency
804-240-8014 | cydney@thejoyceagency.com



WOODFORD



COMMERCIAL & INDUSTRIAL
PLUMBING SPECIFICATIONS
8505 Bell Creek Road East
Mechanicsville, VA 23116

NO. Features



PLUMBING
SOLUTIONS &
SPECIFICATIONS

PL-101





NIBCO
presssystem

THE DREAM TEAM

FIVE PRESS LINES.
ONE SOURCE.

NIBCO® is the trusted brand pros turn to for flow-control expertise. That includes our dream team of press products — carbon steel and copper fittings as well as lead-free cast bronze fittings and valves in the styles and sizes you need.

