



Photo by Avery Skees

*The Monthly Newsletter of ASPE HAMPTON ROADS*



The Latest from  
Hampton Roads

## HAMPTON ROADS CHAPTER:

**MEETING TOPIC:** Commercial Water Softners

**PRESENTED BY:** Jay Otto / Ray Moore

**WHEN:** Thursday Feb 13th - 11:30 -1:00

**WHERE:** Clark Nexsen: 4525 Main St, Suite 1400  
Virginia Beach, VA 23462

**COST:** \$25.00

### INSIDE THIS ISSUE:

Message from the President	PG 2
Vice President Technical	PG 2
Vice President Membership	PG 4
AYP Liaison	PG 6
WOA	PG 8
Advertise with ASPE Hampton Roads	PG 10
Talk Around the Water Cooler	PG 12
Education Station	PG 14

## BOARD OF DIRECTORS:

President:  
Shane Miller - Mason and Hanger  
Shane.Miller@masonandhanger.com

Vice President Technical:

Vice President Membership &  
Fund Raising:  
Marc Bedois - Mason and Hanger  
marc.bedois@masonandhanger.com

Vice President Legislative:  
JC Underwood - Nhyates  
jcunderwood@nhyates.com

Treasurer:  
Administrative Secretary:  
Newsletter Editor:  
WOA  
Web Administrator:  
Lisa Sprague - Clark Nexsen  
Lsprague@clarknexsen.com

Chapter Affiliate Liaison / Resource  
Enhancement Chairperson:  
Troy Monteith - The Joyce Agency  
tmonteith@thejoyceagency.com

AYP Liaison  
Jacob Otto - Otto Sales  
jacobotto@ottosales.com

Education Chair  
Ryan Schalk - Hickman Ambrose  
rschalk@hickmanambrose.com

Web Administrator  
Patrick McNally - Mason and Hanger  
pat.mcnally@masonandhanger.com

Ambassador Program  
Rick O'Berry - Bowman Foster  
roberry@bfa-eng.com

# MESSAGE FROM THE PRESIDENT

*Shane Miller*

I am trying to be proactive with this newsletter since the last two were a bit tardy. December never made it out and January got posted to the website. So, in case you didn't go to the website to see the newsletter here is what happened to the chapter in January. We had a board member step down. Ghassan Abu Sultanah has left Clark Nexsen to pursue other things in Northern Virginia, so he stepped down as VP Technical. So, with that said, we are currently on the lookout for a new VP Technical. If you are interested or know of somebody who would be interested in this position, please reach out to me or one of our board members. I do not want to take on this position. I already have too much to do as it is. I would also like to start planning this year's golf outing and it would be great to have help planning that as well. Joey Adams was the expert at planning this for us and he is no longer here as well. I know Jay Otto has stepped up to help, but I need more help than that. So, if you all would like a golf outing, I need help there as well.

**A BIG THANK YOU to ALL of our members for continuing to support our local Chapter.**

## VICE PRESIDENT TECHNICAL

xxxxxxx

**NEXT MONTHS TOPIC:** Soft Skills Essential for Engineers

**PRESENTED BY:** Karine Leblanc

**WHEN:** Tuesday Mar 11th, 2025

**WHERE:** Clark Nexsen: 4525 Main St, Suite 1400  
Virginia Beach, VA 23462

Contact me or any of the board members if you have a topic you would like to learn about or if you have a topic of interest to present.

I am currently looking for a speaker for May 8th. If you are interested in doing a presentation on this date, please reach out to me at [Lsprague@clarknexsen.com](mailto:Lsprague@clarknexsen.com) (757) 961-7862. If you have a presentation you would like to do.





**Richmond VA**  
2533 Mechanicsville Tpke

**Phone**  
804-643-7355



**Alexandria VA**  
4750 Eisenhower Ave

**Email**  
rmisales@rmisales.com

**rmisales.com**

**ZURN ELKAY**

WATER SOLUTIONS



**900XL3 Backflow**

- Shortest lay length in its class
- Top test ports
- EZSwap check valves



**QUICK**  
FILTER CHANGE  
**WRAPPER**

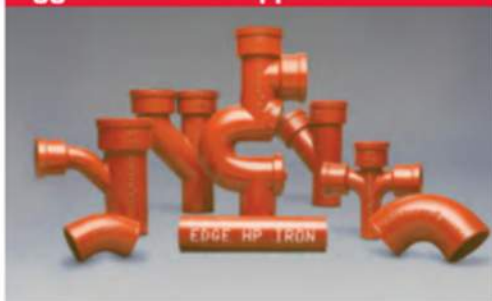


**Z100F Floforce**

- Parabolic Body Design
- Updated Dome Design
- Redesigned Gravel Guard

**CHARLOTTE**  
PIPE AND FOUNDRY COMPANY

Charlotte Pipe® Edge HP Iron™ for Aggressive DWV Applications



**NIAGARA**



Industry Leading  
15-Year Warranty



Designed with Quality Parts:  
Fluidmaster® 400A Fill Valve



Powerful, Vacuum-Assist  
Stealth Technology®



Exceptional Performance

- Line Carry
- MaP Score
- WaterSense® Certified



Factory Assembled,  
Designed to Install with  
Speed in 10 Minutes or Under



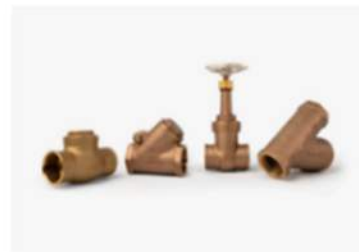
Extra-Large Footprint,  
Great for Renovations



BALL VALVES



BALANCING VALVES



GATES, CHECKS, STRAINERS

# VICE PRESIDENT MEMBERSHIP

*Marc Bedois*

## JAN NEW MEMBERS

There are currently no new members for these months

## JAN MEMBERS

Ben Doyle  
Brandol Bradshaw  
Erin Cox  
Howard Flora  
Hunter Ellmaker  
Mike Karcher  
Mike Stover



### Making the Most of Your Membership:

#### Member Benefit Tip #1 – Build a Killer Network

One of ASPE's greatest benefits is its members. Everyone is busy at home and at work, but members who attend chapter meetings, Conventions & Expositions, and Symposiums are more likely to build a killer contact list. Our members are eager to help you in your next plumbing engineering problem, which undoubtedly will make you more competitive in the workforce.

#### Member Benefit Tip #2 – Ask a Member for Help

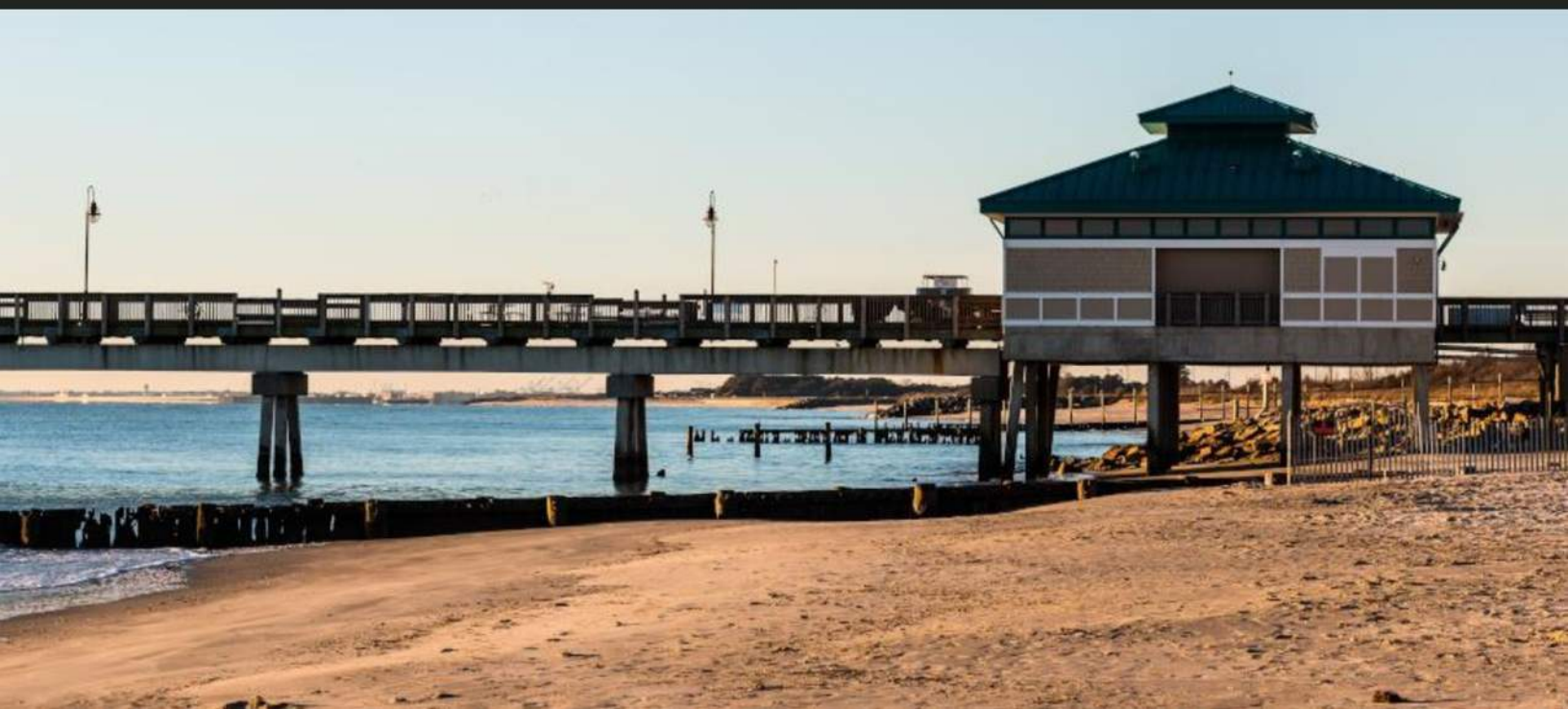
Being a member in ASPE enable you to call upon a friend for help. Your Chapter Officers know who does what. Call your chapter leaders or your fellow members when you're stumped on the job and ask for help. More times than not, you will find a fellow member who is more than willing and able to assist you with your problem. If they can't help, we can kick your problem up to our regional director and they will find you the help you need.

#### Member Benefit Tip #3 – Boost Your Industry Visibility

Demonstrate your abilities to lead and boost your industry visibility by volunteering to join your Chapter Board of Directors or apply to join the Society Board of Directors. Employers, clients, and co-workers respect and look up to ASPE Chapter and Society Officers.

#### Member Benefit Tip #4 – Expand Your Knowledge and Earn CEUs

ASPE produces webinars for members to expand their knowledge of plumbing systems and design. Members pay about half the price as nonmembers and if the webinar is sponsored members can participate for free, so this is a great member benefit. Hover over Education & Credentialing in the aspe.org main menu, and then click on webinars and workshops. You can access current webinars as well as every webinar ASPE has ever held. Don't forget to recommend these to your colleagues and clients.



**Viega, LLC - Mike McCarthy:**  
**Technical Manager (571) 328-1143**  
**mike.mccarthy@viega.us**



*Viega Questions? Lunch & Learn sessions, project support & specification review.*

**viega**



**TO LEARN MORE CONTACT**  
Eric Geisendaffer: Bay Associates  
[ERIC@BAYASSOCIATES.COM](mailto:ERIC@BAYASSOCIATES.COM)

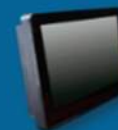
OMNI  
**PBX**

A fully integrated, energy efficient heat pump water heater. Available in 50, 65, 80 & 119 gallon capacities.



Air or water source heat pump

Fully configurable heat pump system with 120-5000 gallon storage capacity and fully programmable controller



PLC Controller



Recirc/backup heater



Cement lined storage tank

OMNI  
**HHP**

**AYP LIAISON**

*Jacob Otto*

**ASPE  
YOUNG  
PROFESSIONALS®**

**ASPE AYP is always looking to grow our 35 and younger engineer network!**

**Please join us this season in support of your local ASPE Chapter as well as AYP for exciting and educational topics**

**ASPE  
YOUNG  
PROFESSIONALS®**

**We would love to hear what sort of topics would interest you?  
What meeting format is most beneficial to get the most out of  
it? We want to hear from you!**

Jacob Otto

(804)822-0435

[jacobotto@ottosales.com](mailto:jacobotto@ottosales.com)

# Ultra-reliable Electric and Gas-Fired Water Heaters



Industry's Best  
Warranties

AquaPLEX®  
Engineered Duplex Alloy



800.784.8326 | pvi.com



1432 Front Ave | Lutherville, MD 21093  
410-825-6616 | bayassociates.com | Eric@Bayassociates.com

## Aegis® Eco-Friendly CO<sub>2</sub> Heat Pump Water Heaters



The Cleaner  
Way to Heat



817.335.9531 | lyncbywatts.com/aegis



1432 Front Ave | Lutherville, MD 21093  
410-825-6616 | bayassociates.com | Eric@Bayassociates.com

# Women of ASPE®



Sponsored by



## Women of ASPE®

Dedicated to **engaging**, **retaining**,  
and **advancing** women in the plumbing  
design industry through:

- Mentoring programs
- Membership outreach
- Partnerships with industry-related associations
- Educational and leadership offerings

To join WOA, email [rrodriguez@aspe.org](mailto:rrodriguez@aspe.org)  
For more information, visit [aspe.org](http://aspe.org)





**Experience Ease of Installation, Integration, and Control with Lawler's Fully Electronic Mixing Valve, Neptune!**



**Neptune EMX Electronic Mixing Valve**

- Accurate control of domestic hot water in all flow conditions
- Simple 3 button interface
- High temperature alarm
- Two valve installation in parallel with one controller
- ModBus and BACnet™ communication standard
- Rugged lead-free stainless-steel valves
- ASSE 1017 and NSF 372 listed

**Neptune EMX Electronic Mixing Valve Manifold Systems for Recirculation**

- Plug-and-play
- Pre-assembled / tested
- Standard and custom designs

Contact your local rep, Eric Geisendaffer at Bay Associates (Eric@Bayassociates.com), or visit [www.temperedwater.com](http://www.temperedwater.com) to learn more.

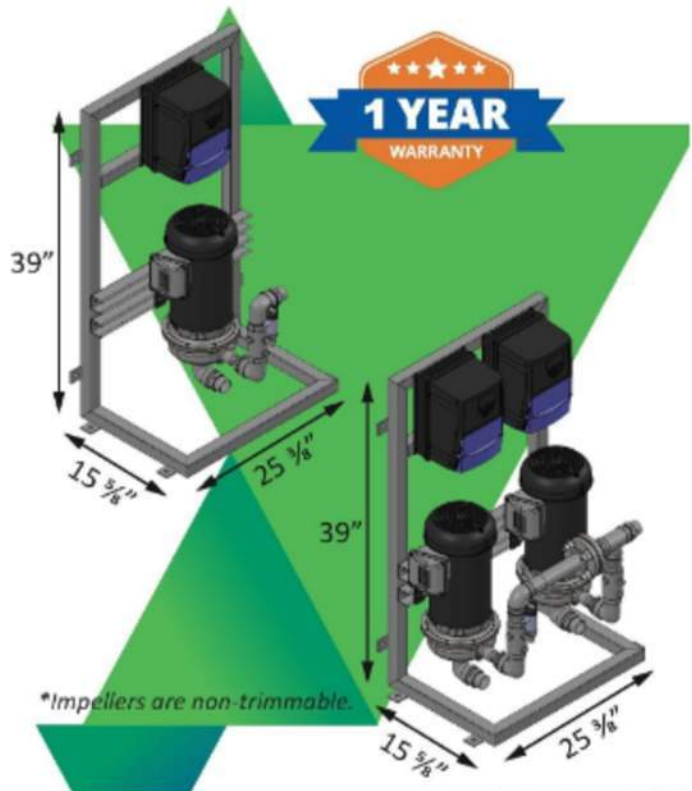


**When You Need a Micro Boost, Insist on a MicroFlo**



**MicroFlo Series Out of the Box High Efficiency Compact Booster.**

The MicroFlo Series is a highly compact, 1 or 2 pump booster for LOW FLOW -- LOW BOOST applications. Buildings that are only a couple stories, have lower water movement needs, or small footprints. **The MicroFlo is designed specifically for these smaller appli-**



[www.ottosales.com](http://www.ottosales.com)

P.O. Box 6005  
Ashland, VA 23005  
804.798.2600

# ADVERTISE WITH YOUR LOCAL CHAPTER

A SPECIAL THANK YOU TO EVERYONE WHO HAS PLACED ADS THIS SEASON.

## NEWSLETTER AND WEBPAGE ADVERTISEMENT COSTS

### FULL PAGE NEWSLETTER (PER SEASON)

ASPE MEMBER \$395.00

NON-ASPE MEMBER \$475.00

### HALF PAGE NEWSLETTER (PER SEASON)

ASPE MEMBER \$295.00

NON-ASPE MEMBER \$375.00

## TABLETOP COSTS

### TABLETOPS - PER MEETING

ASPE MEMBER \$100.00

NON-ASPE MEMBER \$150.00

### TABLETOPS - YEARLY (APPROX. 9 MEETINGS)

ASPE MEMBER \$500.00

NON-ASPE MEMBER \$600.00

Advertising



# ADVERTISING





**Celebrating 75 years of Excellence in Sales  
& Training, Technical Expertise, and  
Customer Service.**

**COLMAC**  
**WATERHEAT**

**Heat Pump Water Heaters**

Colmac pioneered water heating heat pumps in the 1980's and they are continuously improving and innovating in the markets they serve.



Packaged Heat Pump Tank System



RIVIVE™ Hydration Station™ Recessed Bottle Filler with HI-LO Fountains

**Haws**  
Since 1906  
AMERICA'S PREMIER DRINKING FOUNTAIN BOTTLE FILLER & SAFETY EQUIPMENT MANUFACTURER

**Systems & Controls, Inc.**  
Domestic Water Booster Controls



Pacemaker Series

**WCC**  
Where NATURE & SCIENCE meet.

Water treatment solutions for commercial, institutional, & industrial applications

**Water Control Corporation**



Phoenix GT

High-Capacity Ultrafiltration Point-of-Entry (Whole Building)

**Manufacturer's Representative and Distributor of Premier  
HVAC, Plumbing & Hydronic-related Products**

[www.nhyates.com/800-878-8181](http://www.nhyates.com/800-878-8181)

**YATES**  
SINCE 1949

# TALK AROUND THE WATER COOLER

*Check-out these sites for interesting and educational topics & tools so you can stay in 'the know'!*



## ASPE PIPELINE

### SOME RECENT EXCEPRTS:

#### [January 2025 From the President's Pen: Conduit of Success, Volume 4—Grateful](#)

Christmas 2024 is in the books, and we start a new journey in 2025 with a new U.S. Presidential administration, new ideas and outlooks, and, most importantly, a new year to chart our path forward. If we could predict the future, it would make all of our decisions simple, right? If we always knew the results of our choices before we made them, wouldn't that be amazing? The scary thing is that many of us do have the results of our choices; we just don't want to believe them. Thus, the primary focus of this article is about being grateful—grateful for the people we have in our lives and thankful for the favor that has been bestowed on all of us. [More](#)

#### [To Trap or Not to Trap: Sewer Gas Leakage Crisis in China](#)

Highlighting problems in newly renovated hotels, the author explores this public health problem and offers some solutions.

As China's cities grow at an unprecedented rate, so do the challenges of maintaining safe and healthy living environments. Among these is a widespread yet under-appreciated problem of sewer gas leakage. Despite the existence of comprehensive national plumbing codes, the lack of enforcement and substandard installation practices have led to hazardous conditions in residential and commercial buildings. The problem is particularly glaring in newly renovated establishments such as the Dinis Hotel in Luoyang and the Anhui Tower Hotel in Beijing, where improperly sealed toilets and inadequate drainage systems have allowed sewer gases to infiltrate living spaces. These are merely two examples highlighting systemic issues pervasive even in newly constructed buildings across the entire country. [More](#)

#### [2025 Building Safety Month Campaign to Kick Off First Week of May](#)

The month-long 2025 Building Safety Month, which raises awareness about the importance of building codes in establishing and ensuring the safety of the built environment, kicks off on May 1, 2025. This year's theme, "Game On!," motivates people to get in the game and take part in learning about and practicing building safety. Each year, the Code Council, its members, and global communities celebrate building safety through proclamations, educational events, and community gatherings. [More](#)





# DURAGUARD® PRODUCT LINE



Public health and safety are a common concern. Targeted for commercial applications, Bemis has a comprehensive offering of seats with DuraGuard® Antimicrobial Built-In Seat Protection™ and STAY·TITE™.

## WHAT IS DURAGUARD?

DuraGuard is an antimicrobial property built into the toilet seat to inhibit the growth of bacteria. The active ingredient in DuraGuard is zinc pyrithione, a non-VOC (volatile organic compound), broad-spectrum, highly effective antimicrobial agent used to control mold, mildew, yeasts, fungi, algae, gram positive and negative bacteria. DuraGuard does not protect users or others against bacteria, viruses, germs, or other disease-causing organisms.

## WHAT IS STAY·TITE?

STAY·TITE Seat Fastening System™ anchors the toilet seat to the bowl by using a patented bolt design with a inned bushing and glass-illed nylon nut, eliminating the need to retighten the seat to the bowl after installation.

## CYDNEY JOHNSTONE

The Joyce Agency

Cell: 804-240-8014

Email: [cydney@thejoyceagency.com](mailto:cydney@thejoyceagency.com)

OFFICE



HOSPITALITY



SCHOOLS



HEALTHCARE



Manufacturers Representative Since 1968

# Harry Eklof

& Associates, Inc.

Representing:

**CALEFFI**  
Hydronic Solutions



**FIELD CONTROLS**



**FUJITSU** **AIRSTAGE**



**Navien**



**FLORESTONE**  
A spec above.



**SCAN THE QR-CODE**

to get more information  
on product and training!



# EDUCATION STATION

*Ryan Schalk*

*If you are looking to earn the required CEU's and/or enhance your skills and knowledge then this is the site for you! Once you've landed on Educational Program & Tools page, simply point & click to gain access to a variety of ways to accomplish your goals.*

*<https://www.aspe.org/pipeline/category/education-opportunities/>*

## [ASHRAE Learning Institute Offers Free Publication with Online Course Registration](#)

ASHRAE is offering a new benefit to enhance the value of its online instructor-led courses through the ASHRAE Learning Institute (ALI).

Starting with its 2025 online course schedule, ALI is offering a free recommended ASHRAE publication with each online course registration. The goal of the free bonus publication is to reinforce the course material and support deeper understanding of the subject matter. [More](#)

## [Watts to Present ASPE CEU Webinar on Leak Detection Solutions](#)

Watts has announced “Innovative Solutions for Leak Detection in Commercial Spaces,” an ASPE-accredited webinar worth 0.1 CEUs. On Tuesday, February 18, 2025, at 12 p.m. ET, participants will discover how advanced leak detection solutions can protect commercial and multifamily properties from costly water damage and minimize financial risk through seamless system integration. [More](#)



# Increase your productivity

*design your next project  
with the KITZ extensive  
BIM e-catalog*

**BRADLEY  HUGHES**

Manufacturer's Representatives  
[www.bradley-hughes.net](http://www.bradley-hughes.net)

**[bim.kitzus-kca.com](http://bim.kitzus-kca.com)**  
800-772-0073



**KITZ**

**Introducing Bonomi Press™:**  
high-quality European-made  
copper and lead-free brass  
press fittings for commercial  
plumbing

Don't settle for inferior Far East imports. Choose BONOMI PRESS™ fittings, 100% manufactured by the Bonomi Group in Italy from high-purity copper and lead-free brass for joining copper pipe.

Ideal for drinking water applications, they meet NSF/ANSI/CAN 61 requirements and are certified lead-free under NSF/ANSI/CAN 372. They are also used in heating and cooling, low pressure steam, non-potable water, ethanol, compressed air, vacuum and more.

All BONOMI PRESS fittings feature a unique leak prevention system which allows any unpressed fitting to be detected during installation, avoiding time-consuming repairs.

Get the highest quality and the strongest liability protection available with BONOMI PRESS. Contact Bonomi North America today for more information.



**BONOMI  
press**



**BRADLEY  HUGHES**  
Manufacturer's Representatives

**BRIAN BLALOCK**

741 East Willet Ct  
Corolla, NC 27927  
[www.bradley-hughes.net](http://www.bradley-hughes.net)

Phone 704-620-3841  
Fax 803-366-7116  
[brian@bradley-hughes.net](mailto:brian@bradley-hughes.net)

**BONOMI**  
NORTH AMERICA

704-412-9031 • [www.bonominorthamerica.com](http://www.bonominorthamerica.com)



## Complete Mixing Valve Solutions



[www.ottosales.com](http://www.ottosales.com)

P.O. Box 6005  
Ashland, VA 23005  
804.798.2600



# WILLOUGHBY

COUNT ON US.



Family-owned and -operated since opening in 1947, Our fixtures and water management systems are Willoughby-tough and purpose-built for their environment! From sinks and lavatories to ligature-resistant plumbing fixtures for behavioral health facilities, we can help with fixtures for the most extreme environments.



[www.ottosales.com](http://www.ottosales.com)

P.O. Box 6005  
Ashland, VA 23005  
804.798.2600



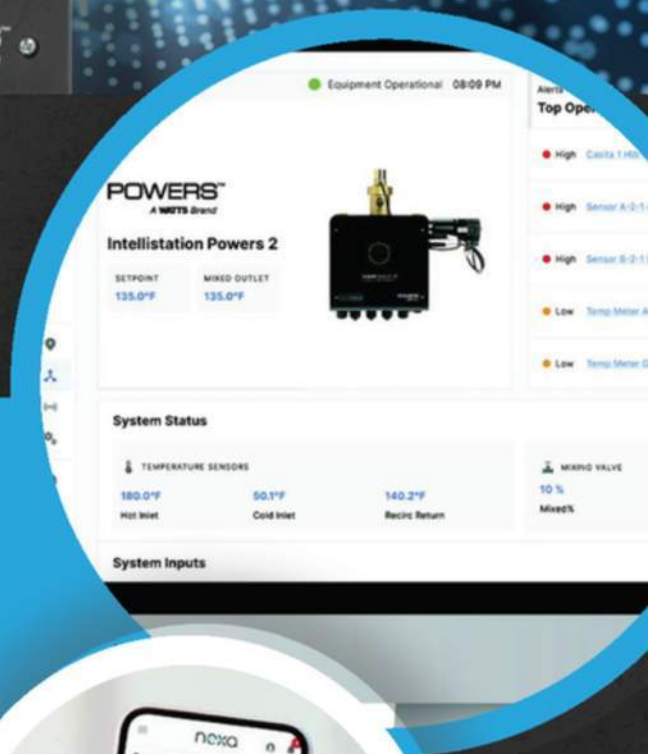
# THE NEXT GENERATION OF DIGITAL MIXING

## Temper Water. Not Expectations.

### Key Features:

- Improved temperature control with Globe Valve Design
- Sensor package options to fit any application
- Improved touchscreen with screen swipes
- Full temperature monitoring and pressure/flow rate monitoring options

IntelliStation 2 performance data can be viewed from anywhere and tracked over time for trends that can help optimize your system and anticipate issues. This next generation mixing valve can be monitored and controlled remotely via Nexa or your BMS, and doesn't require factory preprogramming, a laptop, or special software when commissioning or making or adjustments.



works with nexa



nexaplatform.com

**POWERS™**  
A WATTS Brand



powerscontrols.com

The  
**JOYCE**  
AGENCY

Interested in learning more?

Contact Cydney Johnstone of The Joyce Agency  
804-240-8014 | [cydney@thejoyceagency.com](mailto:cydney@thejoyceagency.com)



WOODFORD



COMMERCIAL & INDUSTRIAL  
PLUMBING SPECIFICATIONS  
8505 Bell Creek Road East  
Mechanicsville, VA 23116

NO. Features



PLUMBING  
SOLUTIONS &  
SPECIFICATIONS

PL-101





**NIBCO**  
presssystem

# THE DREAM TEAM

FIVE PRESS LINES.  
ONE SOURCE.

NIBCO® is the trusted brand pros turn to for flow-control expertise. That includes our dream team of press products — carbon steel and copper fittings as well as lead-free cast bronze fittings and valves in the styles and sizes you need.

